

## AIT3600



AIT3600

Cod. **08076077** EAN **8422248069847**

### 3 cooking areas:

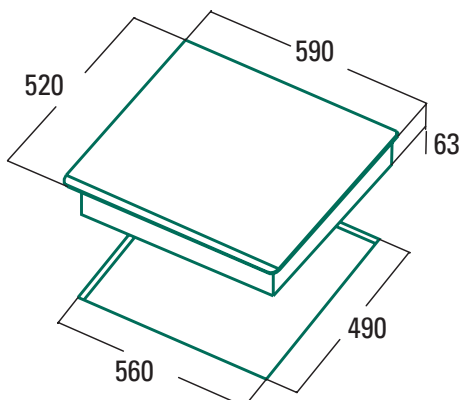
Front Right: 1 area **with Booster function** of  $\varnothing 160$ mm of 1.2kW (max. 1.6kW)

Rear Right: 1 area **with Booster function** of  $\varnothing 230$ mm of 1.5kW (max. 2kW)

Left: 1 area **with Booster function** of  $\varnothing 260$ mm of 2.2kW (max. 3kW)

### Independent Touch Control for each area

- 9 touch control adjustable power levels + Booster
- Safety lock
- Timer function for each area
- Automatic pan detection
- Residual heat indicator
- Automatic safety switch-off
- 59 cm wide
- Total power 5.9kW



<b>Code</b>	08076077
<b>EAN</b>	8422248069847
<b>Model</b>	AIT3600
<b>Type</b>	Induction
<b>Product fiche</b>	
Cooking zones	3
<b>Right front zone: Diameter (mm)</b>	160
Right front zone: Power (kW)	1,2
Right front zone: Booster (kW)	1,6
Right front zone: Consumption (Wh/kg)	-
<b>Right rear zone: Diameter (mm)</b>	210
Right rear zone: Power (kW)	1,5
Right rear zone: Booster (kW)	2
Right rear zone: Consumption (Wh/kg)	176,3
<b>Central front zone: Diameter (mm)</b>	-
Central front zone: Power (kW)	-
Central front zone: Booster (kW)	-
Central front zone: Consumption (Wh/kg)	-
<b>Central rear zone: Diameter (mm)</b>	-
Central rear zone: Power (kW)	-
Central rear zone: Booster (kW)	-
Central rear zone: Consumption (Wh/kg)	-
<b>Front left zone: Diameter (mm)</b>	-
Front left zone: Power (kW)	-
Front left zone: Booster (kW)	-
Front left zone: Consumption (Wh/kg)	-
<b>Left rear zone: Diameter (mm)</b>	240
Left rear zone: Power (kW)	2,2
Left rear zone: Booster (kW)	3
Left rear zone: Consumption (Wh/kg)	187,2
Energy consumption of the hob (Wh/kg)	182,7
<b>Dimensions</b>	
Product width (mm)	590
Product depth (mm)	520
Product height (mm)	63
Built-in height (mm)	560
Built-in depth (mm)	490
Ventilation slot (mm)	5
Fixing system	Quick-Fix System
<b>Finishing</b>	
Colour	Black
Aesthetic	
<b>Control</b>	
Control type	Touch Control
Power selection (+/-)	Individual
Power levels	9 + Booster
Timer	Yes
Countdown alarm	Yes
Power management	No
<b>Security</b>	
Safety lock	Yes
Residual heat indicator	Yes
Automatic pan detection	Yes
Automatic safety switch-off	Yes
Protection against liquid spillage	Yes
<b>Electrical connection</b>	
Nominal voltage (V)	220-240
Mains frequency (Hz)	50-60
Max Product power (kW)	5.9